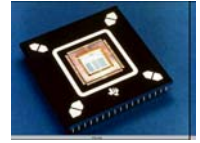
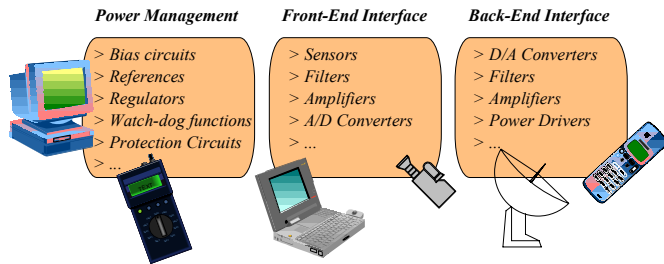
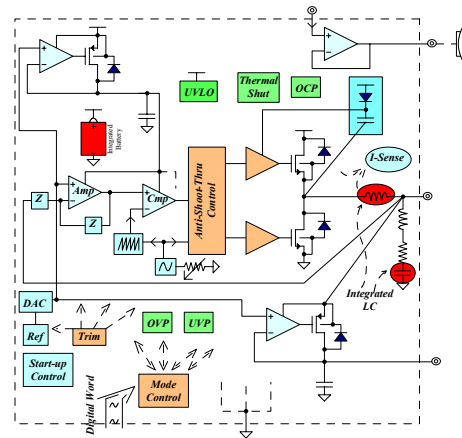


Georgia Tech Analog and Power IC Design Lab

Totally Integrated System Solutions for portable, battery-powered applications (e.g., cellular phones, PDAs, camera recorders, biomedical, GPS, wireless, etc.)

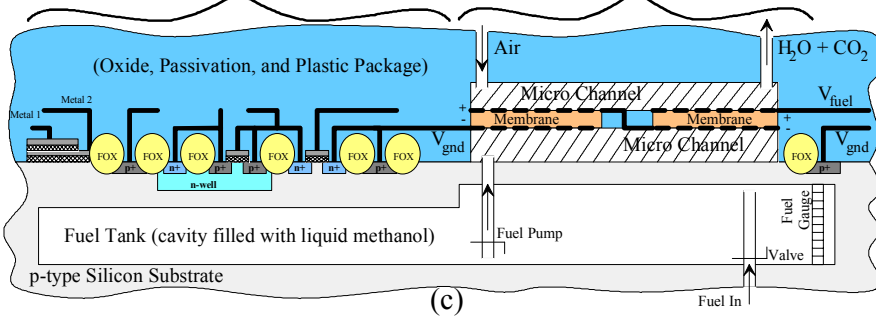


Integrated Circuits for portable applications →



Integrated Circuits

Fuel-Cell Stack



← Integrated Batteries (Fuel Cells and thin-film Lithium Ion)

Integrated Power Components (L, C, Switches, etc.) →

